

Round or Square IC, Non IC and Chicago Plenum Ultra Shallow LED Housings

E3_-L_DUS 1.3

VISUAL COMFORT & Co.

ARCHITECTURAL COLLECTION

GENERAL PRODUCT INFORMATION:



This product is suitable for indoor locations.

This product can be dimmed with a standard electronic dimmer.

This instruction shows a typical installation.



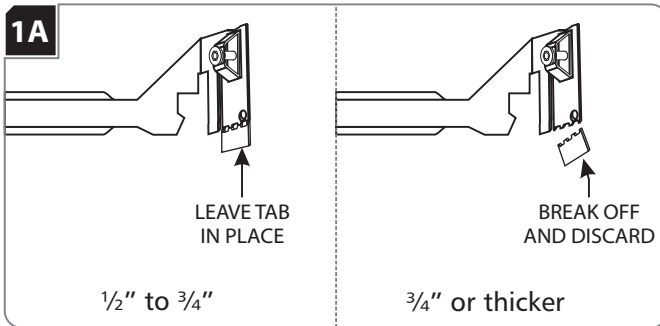
SAVE THESE INSTRUCTIONS!

CAUTION - RISK OF FIRE

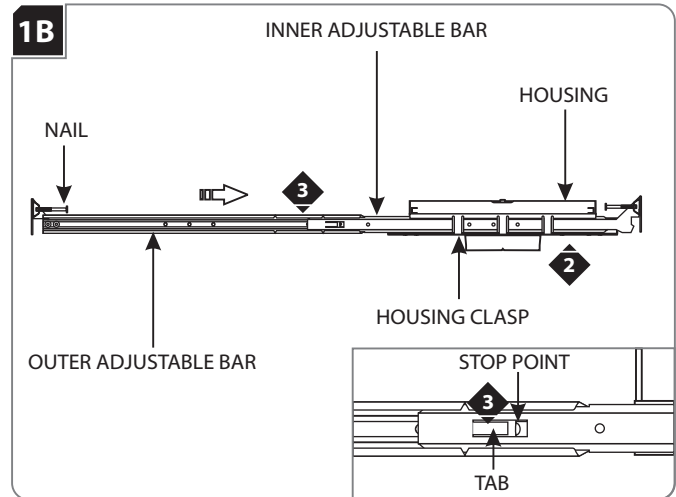
This product must be installed in accordance with the applicable installation code by a person familiar with the construction and operation of the product and the hazards involved.

Use minimum 90°C supply conductors.

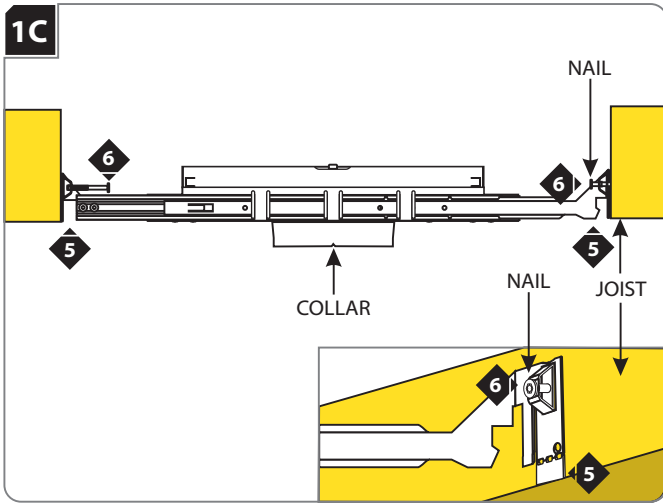
Install the Housing with Adjustable Bars



- 1 **Keep Tab for ceiling 1/2" to 3/4" thick.**
When using adjustable hanger bars with 1/2" to 3/4" thick ceilings, leave the tab of the hanger bars in place.
- Break off Tab for ceiling 3/4" or thicker.**
When using adjustable hanger bars with 3/4" or thicker ceilings, remove the tab by bending it at the perforation.

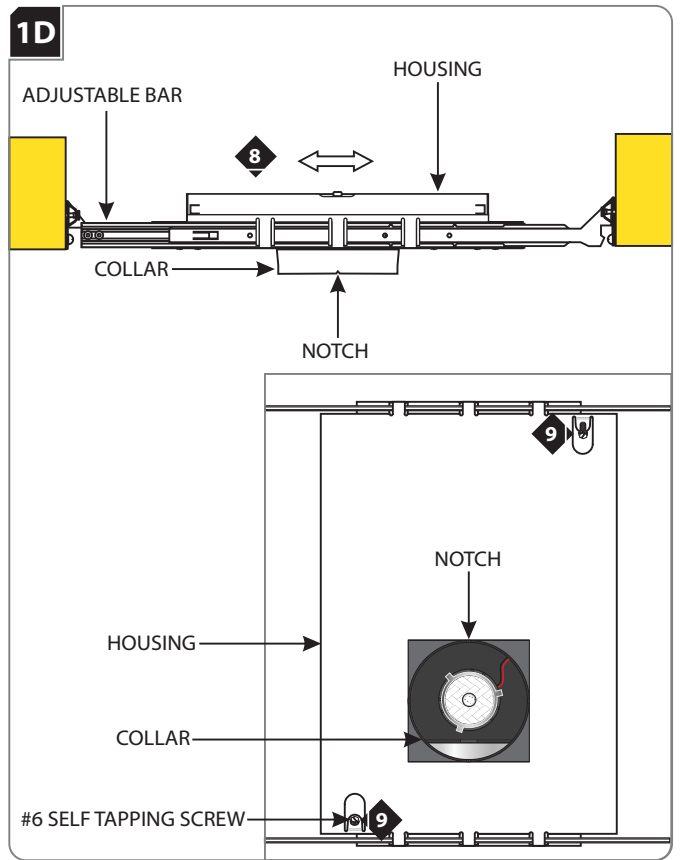


- 2 Slide the inner adjustable bar completely through the three housing clasps. Make sure the nail is on top.
- 3 Slide and push the outer adjustable bar completely onto the inner adjustable bar so that the tab clicks into place behind the stop point. This will prevent the adjustable bars from coming apart.
- 4 Repeat steps 2 & 3 for the other side of the housing.



NOTE: The adjustable bars can be mounted to joists that are spaced 16" - 24" apart.

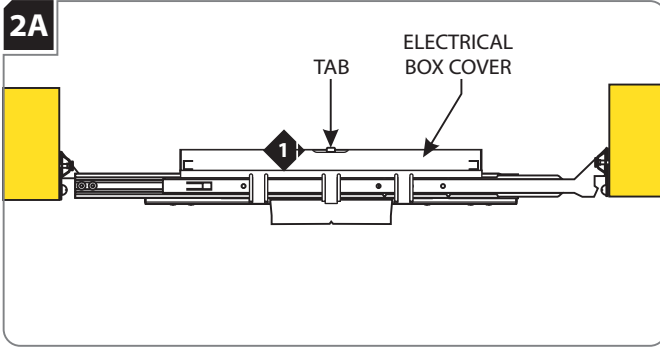
- 5 Align the bottom of the end plates with the bottom of the ceiling joists.
- 6 Level the adjustable bars and, with a hammer, tap the nails completely into the joists to secure the adjustable bars in place.



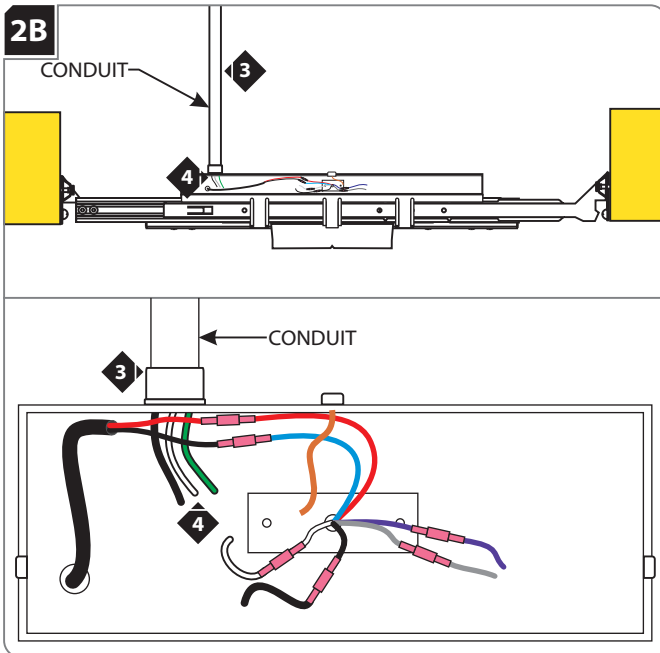
- 7 Carefully cut and remove the zip ties from the housing.
- 8 Adjust the collar position (horizontal position) by sliding the housing on adjustable bars.
- 9 When the desired location is achieved, tighten the two #6 self tapping screws to lock the housing onto the adjustable bars.

NOTE: Notches in the collar can be used to align multiple housings using a laser or string.

Connect Power to the Housing



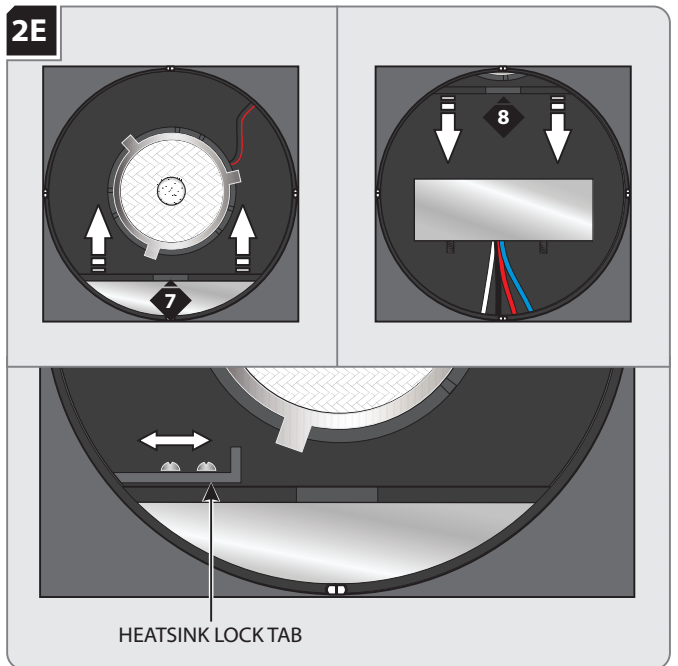
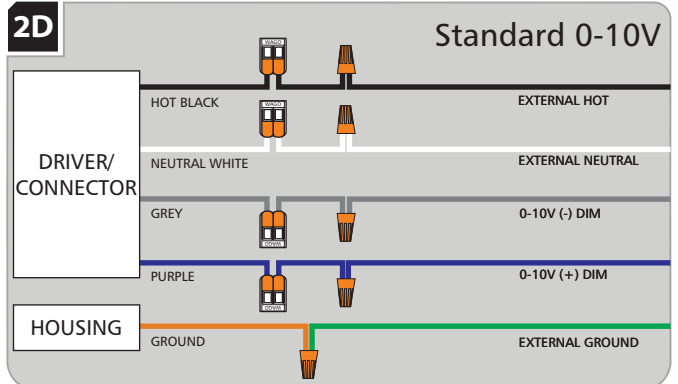
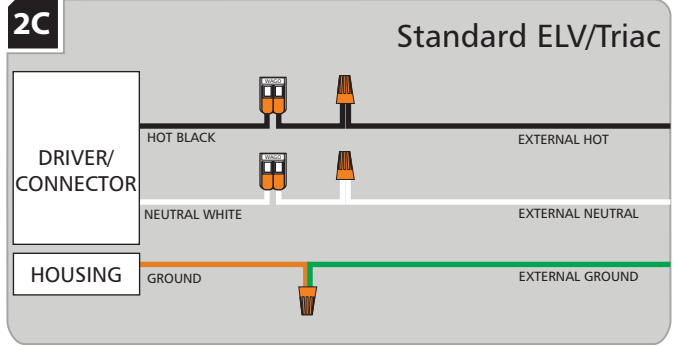
- 1 Push up on the tabs on the electrical box and remove the electrical box cover.



- 3 Install the conduit to the housing electrical box.
- 4 Run the power line wires into the housing electrical box. Run an additional 6-8 inches into the electrical box for future driver servicing.
- 5 Use the appropriate wiring diagram in the following steps to wire your fixture accordingly.

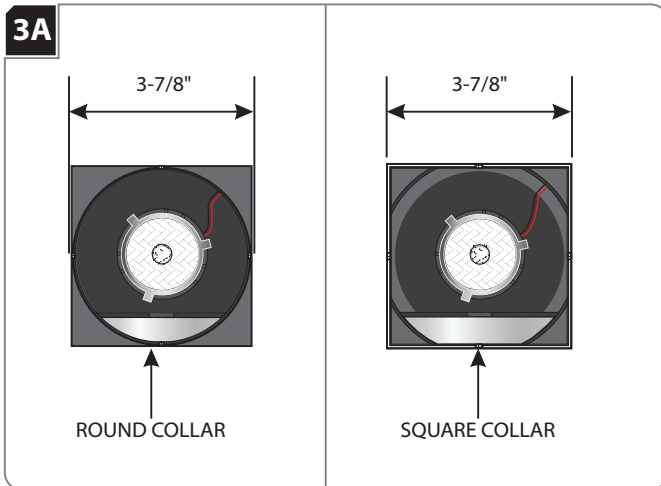
NOTE: When a fixture is installed in a location that requires servicing from below the ceiling through the fixture aperture, the branch circuit connections need to be able to be brought out through the aperture. To accomplish this, an NM type cable in conjunction with snap-in/push-in connectors must be used and a 12" service loop must be left available outside of the fixture housing wiring compartment to allow additional branch circuit wiring to be pulled through the snap-in/push-in connector and extended out through the aperture below ceiling level.

WARNING: RISK OF FIRE: When using the housing electrical box for power feed through, use **MAX** 4 - #12 AWG, or 6 - #14 AWG branch circuit wires.

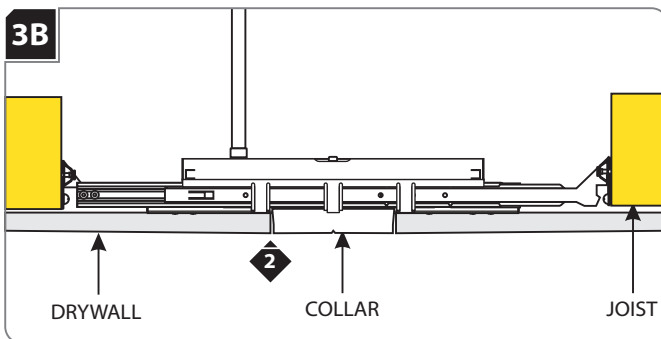


- 6 This housing features a heat sink with a slide-to-lock mechanism for easy access to the electrical box. Slide the heatsink lock tab to the **right** to unlock.
- 7 Slide the heat sink opposite the side of the electrical box to access wiring.
- 8 Fully slide the heat sink toward the electrical box to return to its default position.
- 9 Slide the heatsink lock tab to the **left** to lock in place.

Install Drywall



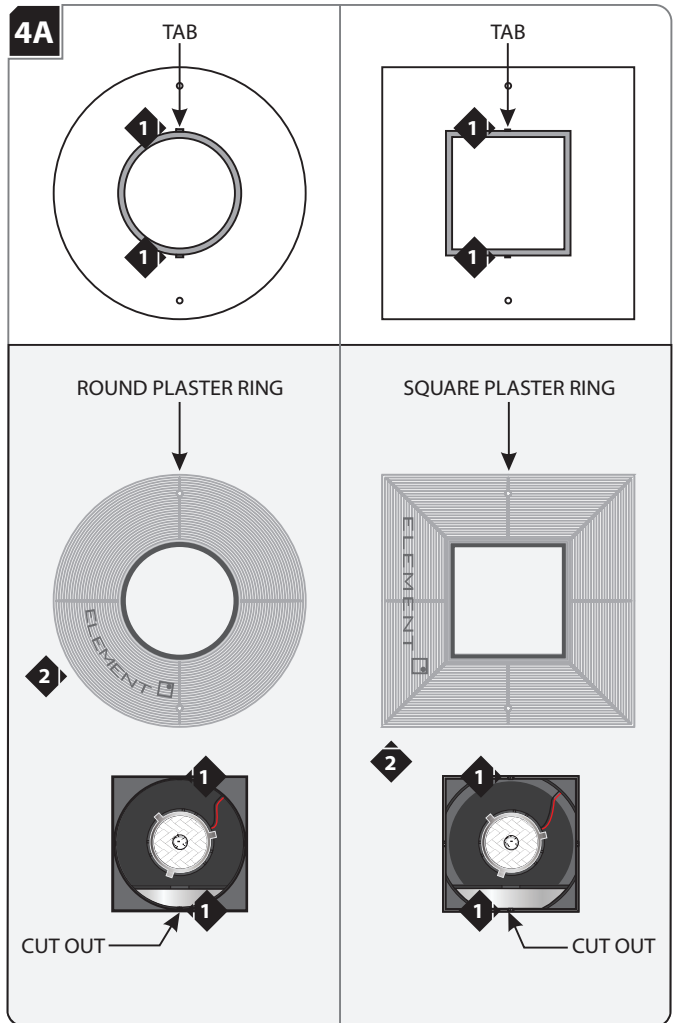
- 1** For round trims, mark a 3-7/8" diameter circle on drywall. Cut out the marked section. For square trims, mark a 3-7/8" square on drywall. Cut out the marked section.



- 2** Align the cut out section of drywall with the collar and install the drywall.

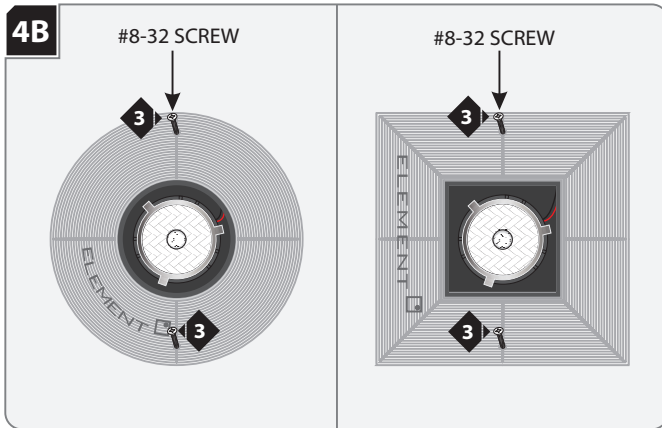
WARNING: Risk of Fire: The housing is not intended to be in contact with or covered with combustible materials and insulation. Do not install insulation within 3 inches of the housing sides or above in such a manner to entrap heat.

Install Plaster Ring (For Flangeless Versions)



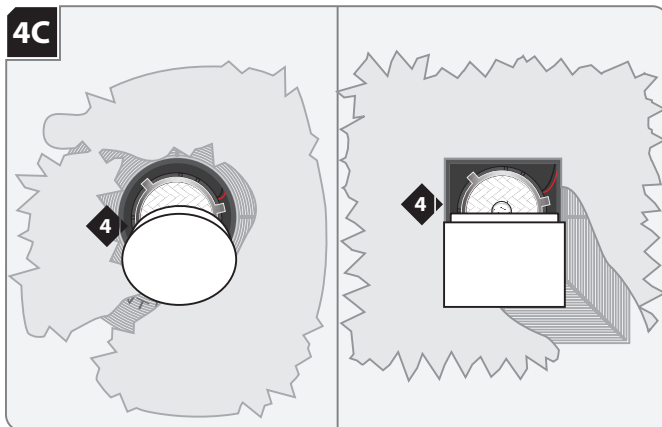
- 1** Line up the two tabs in back of the plaster ring with the two cut out sections of the collar's inside edge.
- 2** Push the plaster ring tabs into the cut out sections of the collar's edge.

Install/Replace Optic

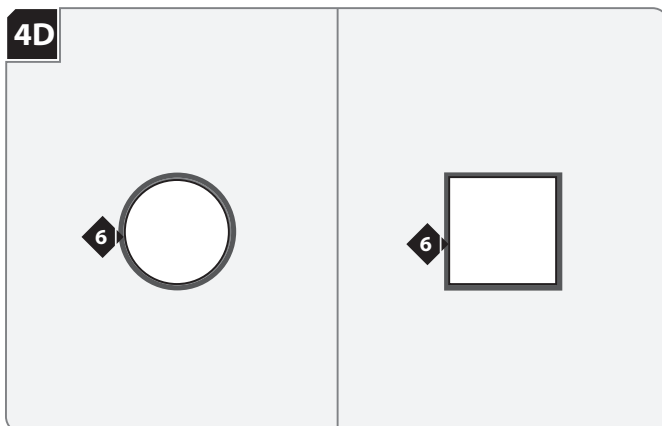


- 3 Secure the plaster ring in place with the two provided flat head #8-32 screws. Make sure that the screws penetrate through the drywall into the housing screw holes.

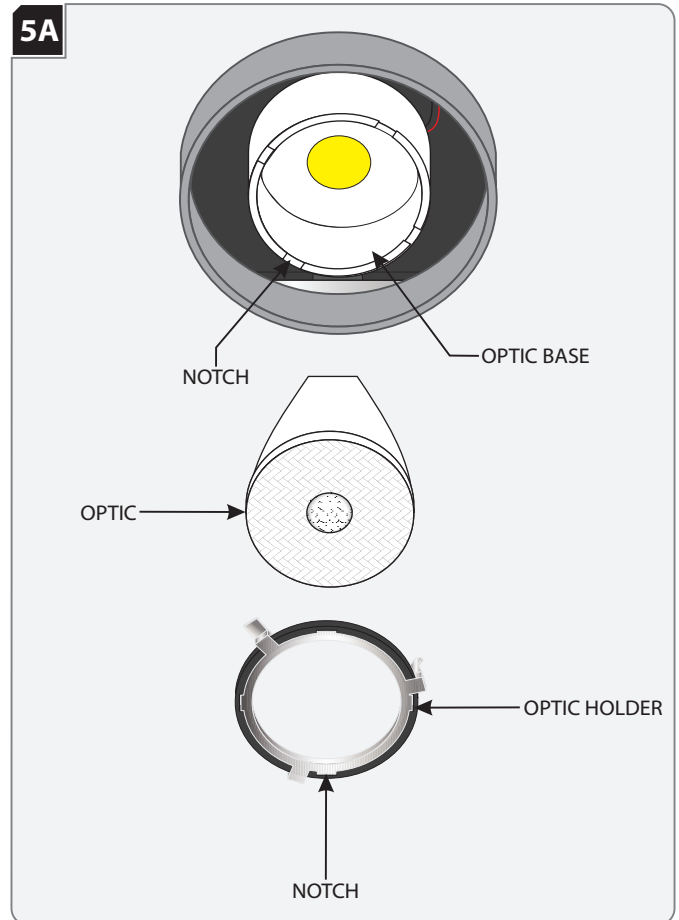
NOTE: Do not overtighten the screws! Overtightening may bend the plaster ring, causing the plaster surface to come away from the drywall.



- 4 Plug the collar with the provided dust shield.
5 Properly plaster onto the plaster ring and drywall.



- 6 Finish around the trim to match drywall.



- 1 Rotate the optic holder counter clockwise until the notches on the holder are aligned with the notches on the optic base, then pull the optic holder out of the optic base along with the old optic.
2 Remove the old optic from the optic holder and replace with new one.
3 Install the optic holder by aligning the notches on the optic holder and base, then pushing up and rotating the optic holder clockwise until secure.

NOTES

